



R&R Metal pushbutton T1 - for harsh environment -

Housing	Brass or stainless steel
Dimensions	Ø 24 mm, depth ca. 20 mm
Mounting bore	Ø 20 +0,5 mm, metal sheet thickness > 1,5 mm
grid	25 mm
travel	Approx. 3+1 mm full travel
Actuation force	Approx. 1 N or 3N , clear actuation point
lifetime	> 3 Millionen switch cycles
resistance	< 50 Ohm (option < 10 Ohm)
Power rating	Approx. 30 V / 10 mA or 12 V / 30 mA
Operating temperature	-30 up to +90°C (use gloves for high or low temperatures)
Storage temperature	-60 up to +120°C
Protection class	IP 65 – dustproof, waterproof
weight	Approx. 30 g
connection	Solderable or pluggable Flat terminal 2,8 x 08
Field of application	Workshop, production, storage

R&R metal pushbutton T1

Ob der Eck 4 · D-78148 Gütenbach · Telefon (07723) 9186-0 · Telefax (07723)9186-30

INFO@RURGMBH.DE WWW.RURGMBH.DE

DNR4161_E.DOC REV. 01 18.04.2014

Options	Engraved inscription
	Keycap flat or elevated

Order number	descripton
1	T1 Messing bündig 3N, Hub 3mm



2552	T1 brass, leveled 1N, travel 3mm
1907	T1 brass +1.5mm, 3N, travel 3mm
1908	T1 brass +4.0mm 3N, travel 3mm

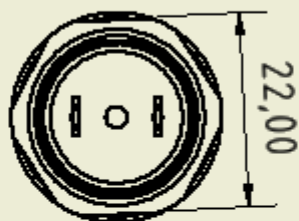
R&R metal pushbutton T1

Ob der Eck 4 · D-78148 Gütenbach · Telefon (07723) 9186-0 · Telefax (07723)9186-30

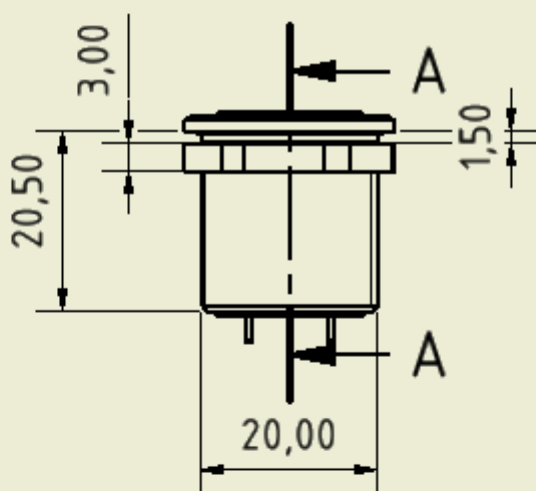
INFO@RURGMBH.DE WWW.RURGMBH.DE

DNR4161_E.DOC REV. 01 18.04.2014

ANSICHT (VIEW)2 (1 : 1)



ANSICHT (VIEW)1 (1 : 1)



ANSICHT (VIEW)4 (1 : 1)

